

Protection IC for ringing SLICs

Features

- Protection IC recommended for ringing SLICs
- Wide firing voltage range: -120 V to +120 V
- Low gate triggering current: $I_G = 5 \text{ mA max}$
- Peak pulse current: $I_{PP} = 30 \text{ A (10/1000 } \mu\text{s)}$
- Holding current: $I_H = 150 \text{ mA min}$
- UL497B approved (file E136224)

Applications

- Dual battery supply voltage SLICs
 - negative battery supply configuration
 - negative and positive battery supply configuration
- Central office (CO)
- Private branch exchange (PBX)
- Digital loop carrier (DLC)
- Asymmetrical digital subscriber line (ADSL G.Lite)
- Fiber in the Loop (FITL)
- Wireless local loop (WLL)
- Hybrid fiber coax (HFC)
- ISDN terminal adapter
- Cable modem

Description

The LCP02-150B1 has been developed to protect SLICs operating on both negative and positive battery supplies, as well as high voltage SLICs. It provides crowbar mode protection for both TIP and RING lines. The surge suppression is assumed for each wire by two thyristor structures, one dedicated to positive surges the second one for negative surges. Both positive and negative threshold levels are programmable by two gates (Gn and Gp). The use of transistors decreases the battery currents during surge suppression.

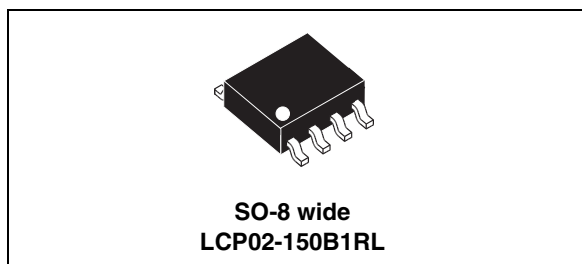


Figure 1. Functional diagram

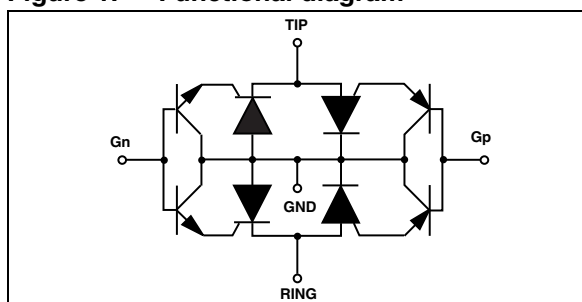
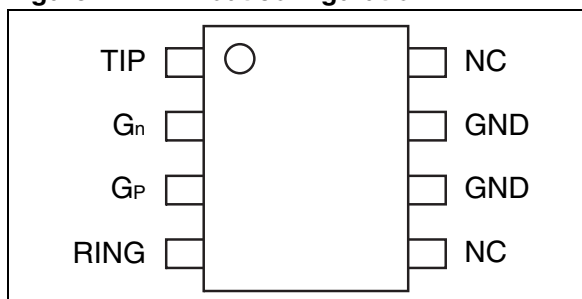


Figure 2. Pin-out configuration



LCP02-150B1 is used to help equipment to meet various standards such as UL1950, IEC 60950 / CSAC22.2, UL1459 and TIA-968-A (formerly FCC part68). Trisils have UL94 V0 resin approved (Trisils are UL497B approved - file: E136224).

1 Characteristics

Table 1. Compliant with the following standards

STANDARD	Peak Surge Voltage (V)	Voltage Waveform	Required peak current (A)	Current Waveform	Minimum serial resistor to meet standard (Ω)
GR-1089 Core First level	2500	2/10 μ s	500	2/10 μ s	20.0
	1000	10/1000 μ s	100	10/1000 μ s	24
GR-1089 Core Second level	5000	2/10 μ s	500	2/10 μ s	43
GR-1089 Core Intra-building	1500	2/10 μ s	100	2/10 μ s	0
ITU-T-K20/K21	6000	10/700 μ s	150	5/310 μ s	91
	4000		100		51
	1500		37.5		0
ITU-T-K20 (IEC61000-4-2)	8000	1/60 ns	ESD contact discharge		0
	15000		ESD air discharge		0
VDE0433	4000	10/700 μ s	100	5/310 μ s	51
	2000		50		42
VDE0878	4000	1.2/50 μ s	100	1/20 μ s	22
	2000		50		0
IEC61000-4-5	4000	10/700 μ s	100	5/310 μ s	5
	4000	1.2/50 μ s	100	8/20 μ s	0
TIA-968-A (formerly FCC part 68) type A	1500	10/160 μ s	200	10/160 μ s	20
	800	10/560 μ s	100	10/560 μ s	15
TIA-968-A (formerly FCC part 68) type B	1000	9/720 μ s	25	5/320 μ s	0

Table 2. Absolute maximum ratings ($T_{amb} = 25\text{ }^\circ\text{C}$)

Symbol	Parameter	Value	Unit
I_{PP}	Peak pulse current	10/1000 μ s 5/310 μ s 2/10 μ s	30 45 100 A
I_{TSM}	Non repetitive surge peak on-state current (F = 50 Hz) I_{TSM} value specified for each line I_{TSM} value can be applied on both lines at the same time (GND capability is twice the line I_{TSM})	$t_p = 0.2\text{ s}$ $t_p = 1\text{ s}$ $t_p = 15\text{ min}$	9 6 1.9 A
$V_{GN\text{ max}}$ $V_{GP\text{ max}}$	Maximum negative battery voltage range Maximum positive battery voltage range	-120 to 0 0 to +120	V
T_{op}	Operating temperature range	-40 to +125	$^\circ\text{C}$
T_{stg}	Storage temperature range	-55 to +150	$^\circ\text{C}$
T_L	Lead solder temperature (10 s duration)	260	$^\circ\text{C}$

Figure 3. Pulse waveform

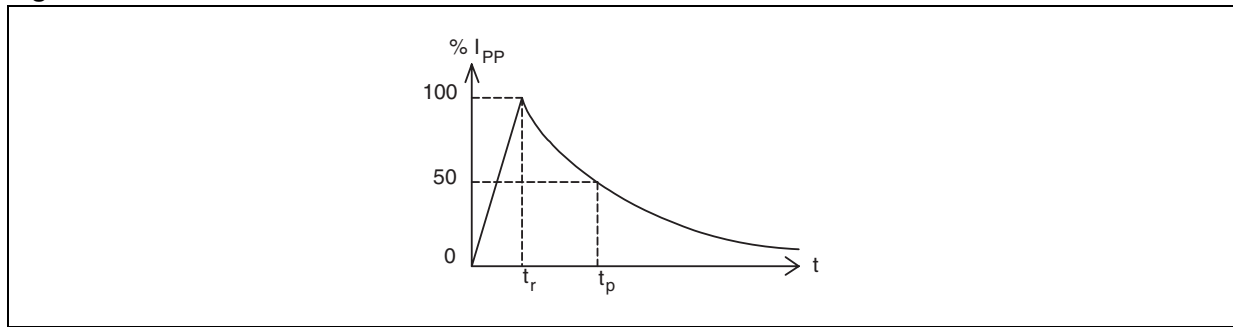


Table 3. Thermal resistance

Symbol	Parameter	Value	Unit
$R_{th(j-a)}$	Junction to ambient	150	°C/W

Table 4. Parameters related to the negative suppressor

Symbol	Parameter	Test conditions	Min	Max	Unit
I_{Gn}	Negative gate trigger current	$V_{Gn/GND} = -60\text{ V}$ Measured at 50 Hz		5	mA
I_H	Holding current (see Figure 4)	Go-No Go test, $V_{Gn} = -60\text{ V}$	150		mA
V_{DGL-}	Dynamic switching voltage Gn / Line ⁽¹⁾	$V_{Gn/GND} = -60\text{ V}$ 10/1000 μs 1 kV $R_p = 25\ \Omega$ $I_{PP} = 30\text{ A}$ 10/700 μs 2 kV $R_p = 25\ \Omega$ $I_{PP} = 30\text{ A}$ 1.2/50 μs 2 kV $R_p = 25\ \Omega$ $I_{PP} = 30\text{ A}$		18 8 15	V

1. The V_{DGL} value is the difference between the peak line voltage during the surge and the programmed gate voltage.

Table 5. Parameters related to the positive suppressor

Symbol	Parameter	Test conditions	Min	Max	Unit
I_{Gp}	Positive gate trigger current	$V_{Gn/GND} = 60\text{ V}$ Measured at 50 Hz		5	mA
V_{DGL+}	Dynamic switching voltage Gn / Line ⁽¹⁾	$V_{Gn/GND} = 60\text{ V}$ 10/1000 μs 1 kV $R_p = 25\ \Omega$ $I_{PP} = 30\text{ A}$ 10/700 μs 2 kV $R_p = 25\ \Omega$ $I_{PP} = 30\text{ A}$ 1.2/50 μs 2 kV $R_p = 25\ \Omega$ $I_{PP} = 30\text{ A}$		18 8 35	V

1. The V_{DGL} value is the difference between the peak line voltage during the surge and the programmed gate voltage.

Table 6. Parameters related to line/gnd

Symbol	Parameter	Test conditions	Min	Max	Unit
I_R	Reverse leakage current	$T_j = 25\text{ °C}$ $V_{LINE} = +120\text{ V}$ $V_{GP/LINE} = +1\text{ V}$ $T_j = 25\text{ °C}$ $V_{LINE} = -120\text{ V}$ $V_{GN/LINE} = -1\text{ V}$		5 5	μA
C_{off}	Capacitance LINE/GND	$V_R = -3\text{ V}$, $F = 1\text{ MHz}$, $V_{Gp} = 60\text{ V}$, $V_{Gn} = -60\text{ V}$	60		pF

Table 7. Recommended gate capacitance

Symbol	Component	Min	Typ	Max	Unit
C_G	Gate decoupling capacitance	100	220		nF

Figure 4. Relative variation of holding current versus junction temperature

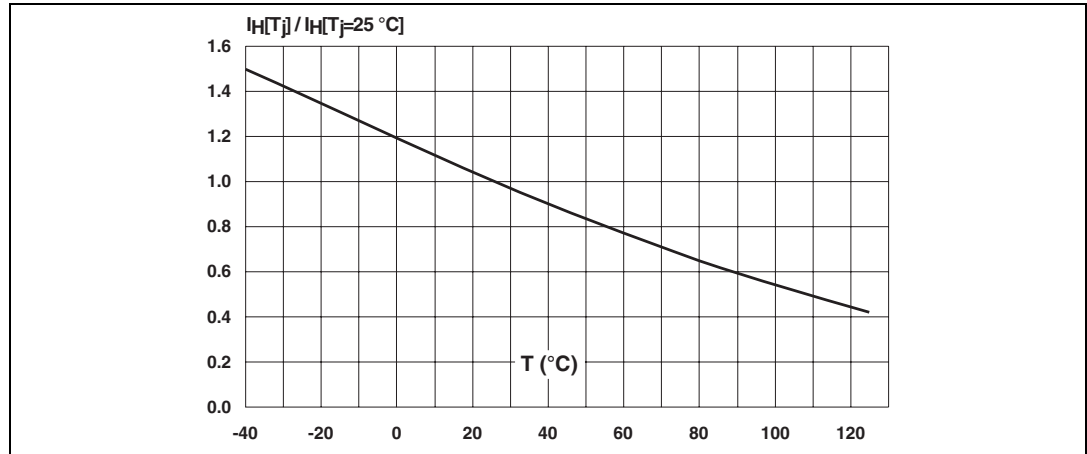


Figure 5. Maximum non repetitive surge peak on state current versus overload duration

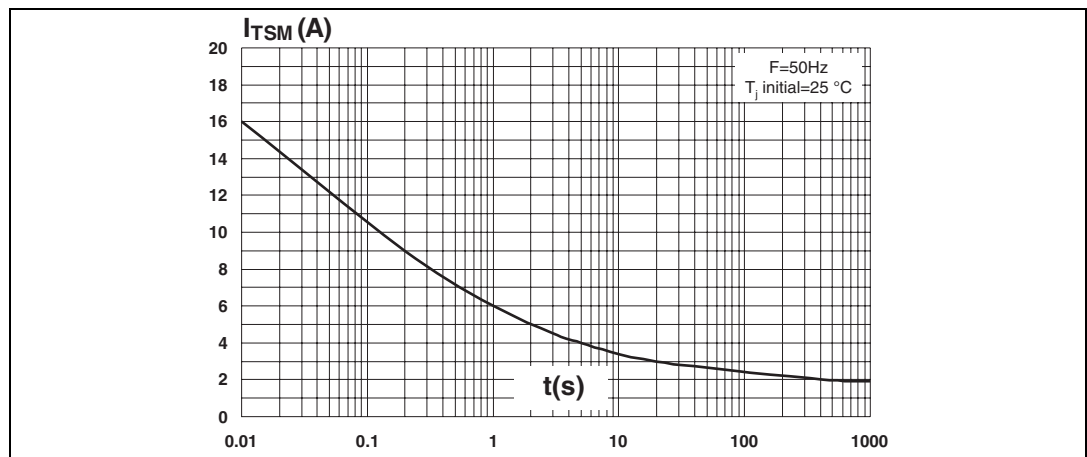
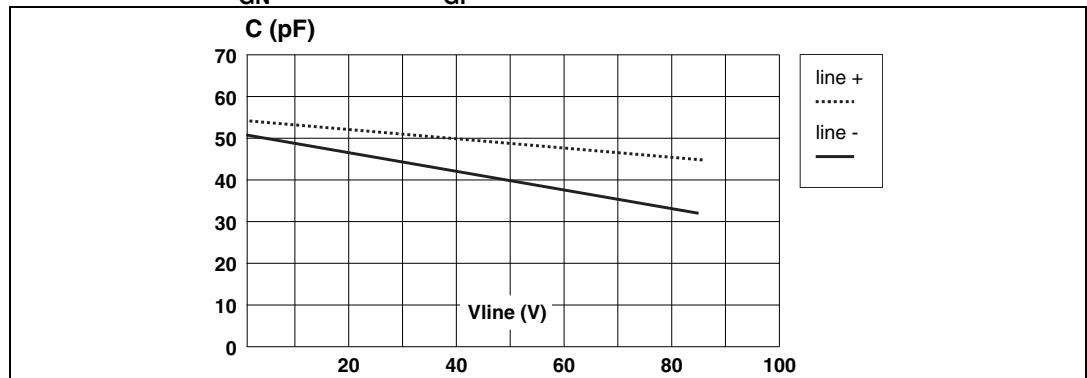


Figure 6. Capacitance versus reverse applied voltage (typical values) with $V_{GN} = -90\text{ V}$ and $V_{GP} = +90\text{ V}$



2 Technical information

Figure 7. LCP02 concept behavior.

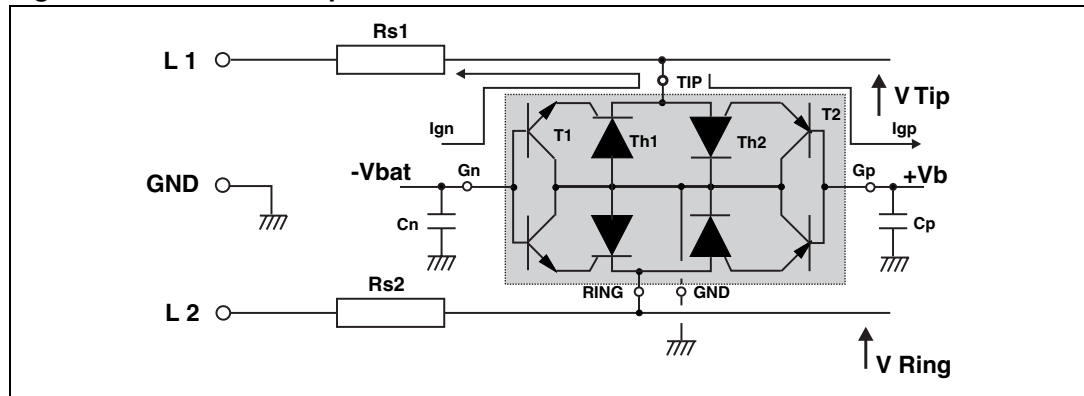


Figure 7 shows the classical protection circuit using the LCP02 crowbar concept. This topology has been developed to protect the new two-battery voltage SLICs. It allows both positive and negative firing thresholds to be programmed. The LCP02-150B1 has two gates (Gn and Gp). Gn is biased to negative battery voltage $-V_{bat}$, while Gp is biased to the positive battery voltage $+V_b$.

When a negative surge occurs on one wire (L1 for example), a current I_{agn} flows through the base of the transistor T1 and then injects a current in the gate of the thyristor Th1 which fires. All the surge current flows through the ground. After the surge, when the current flowing through Th1 becomes less negative than the negative holding current I_{H-} , Th1 switches off. This holding current I_{H-} is temperature dependant as per Figure 4

When a positive surge occurs on one wire (L1 for example), a current I_{gp} flows through the base of the transistor T2 and then injects a current in the gate of the thyristor Th2 which fires. All the surge current flows through the ground. After the surge, when the current flowing through Th2 becomes less positive than the positive holding current I_{H+} , Th2 switches off. This holding current I_{H+} , typically 20mA at 25°C, is temperature dependant and the same Figure 4 also applies.

The capacitors Cn and Cp are used to speed up the crowbar structure firing during the fast rise or fall edges. This allows to minimize the dynamical breakover voltage at the SLIC Tip and Ring inputs during fast surges. Please note that these capacitors are generally available around the SLIC. To be efficient they have to be as close as possible to the LCP02-150B1 gate pins (Gn and Gp) and to the reference ground track (or plan). The optimized value for Cn and Cp is 220nF.

The series resistors Rs1 and Rs2 designed in [Figure 7](#) represent the fuse resistors or the PTCs which are needed to withstand the power contact or the power induction tests imposed by the country standards. Taking this factor into account, the actual lightning surge current flowing through the LCP02-150B1 is equal to :

$$I_{\text{surge}} = V_{\text{surge}} / (R_g + R_s)$$

With

V surge = peak surge voltage imposed by the standard.

Rg = series resistor of the surge generator

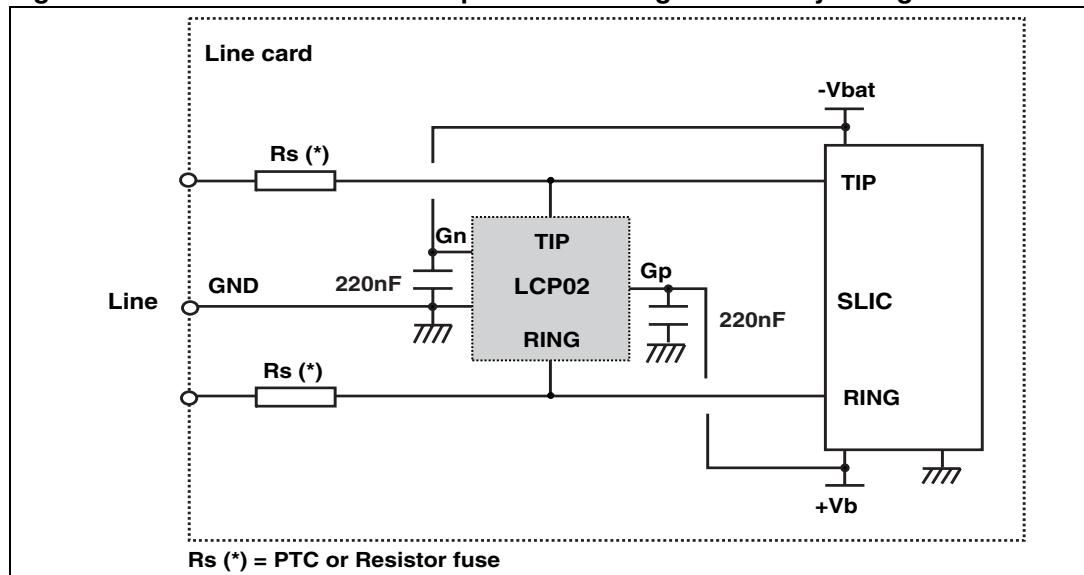
Rs = series resistor of the line card (e.g. PTC)

For a line card with 50 Ω of series resistors which has to be qualified under Bellcore 1000 V 10/1000 μs surge, the present current through the LCP02-150B1 is equal to :

$$I_{\text{surge}} = 1000 / (10 + 50) = 17 \text{ A}$$

The LCP02-150B1 topology is particularly optimized for the new telecom applications such as fiber in the loop, WLL systems, decentralized central office for example.

Figure 8. Protection of SLIC with positive and negative battery voltages.



[Figure 8](#) shows the classical protection topology for SLIC using both positive and negative battery voltages. With such a protection the SLIC is protected against surge over +Vb and lower than -Vbat. In this case, +Vb can be programmed up to +120 V while -Vbat can be programmed down to -120 V.

3 Package information

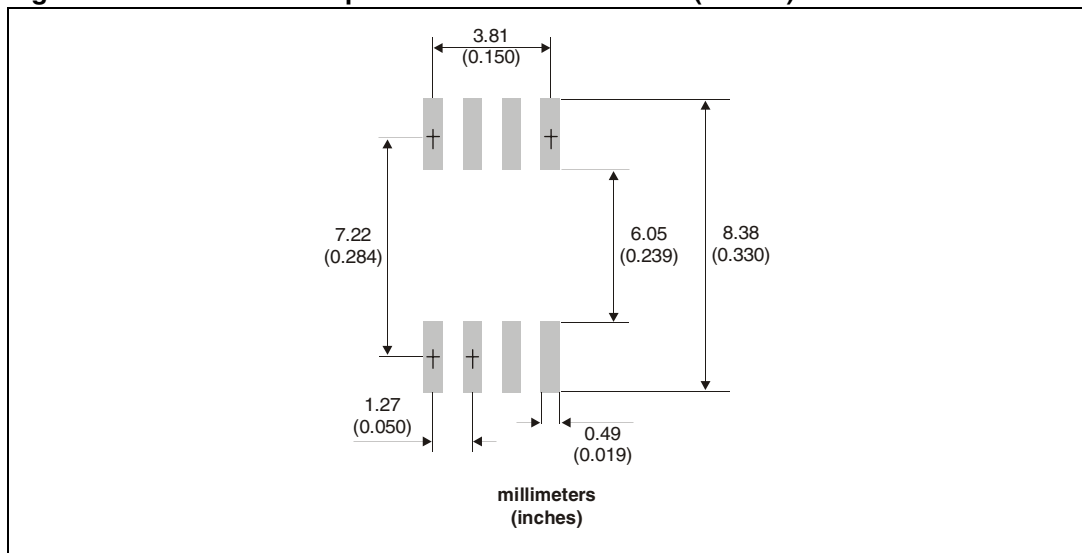
- Epoxy meets UL94, V0

In order to meet environmental requirements, ST offers these devices in ECOPACK® packages. These packages have a lead-free second level interconnect. The category of second level interconnect is marked on the package and on the inner box label, in compliance with JEDEC Standard JESD97. The maximum ratings related to soldering conditions are also marked on the inner box label. ECOPACK is an ST trademark. ECOPACK specifications are available at www.st.com.

Table 8. SO-8 wide dimensions

Ref.	Dimensions					
	Millimeters			Inches		
	Min.	Typ.	Max.	Min.	Typ.	Max.
A			2.50			0.099
A1			0.25			0.010
A2	1.51		2.00	0.059		0.079
b	0.35	0.40	0.51	0.013	0.016	0.020
c	0.10	0.20	0.35	0.003	0.008	0.014
D			6.05			0.239
E	5.02		6.22	0.197		0.245
E1	7.62		8.89	0.30		0.35
e		1.27			0.05	
K	10°					
L	0.50		0.80	0.019		0.032

Figure 9. SO-8 wide footprint measurements in mm (inches)



4 Ordering information

Table 9. Ordering information

Order code	Marking	Package	Weight	Base qty	Delivery mode
LCP02-150B1RL	LCP02	SO-8-Wide	0.13g	1500	Tape and reel

5 Revision history

Table 10. Document revision history

Date	Revision	Changes
Sep-2000	4A	Previous release.
17-Oct-2008	5	Reformatted to current standards. V_{line} updated to 120 V in Table 6 .

Please Read Carefully:

Information in this document is provided solely in connection with ST products. STMicroelectronics NV and its subsidiaries ("ST") reserve the right to make changes, corrections, modifications or improvements, to this document, and the products and services described herein at any time, without notice.

All ST products are sold pursuant to ST's terms and conditions of sale.

Purchasers are solely responsible for the choice, selection and use of the ST products and services described herein, and ST assumes no liability whatsoever relating to the choice, selection or use of the ST products and services described herein.

No license, express or implied, by estoppel or otherwise, to any intellectual property rights is granted under this document. If any part of this document refers to any third party products or services it shall not be deemed a license grant by ST for the use of such third party products or services, or any intellectual property contained therein or considered as a warranty covering the use in any manner whatsoever of such third party products or services or any intellectual property contained therein.

UNLESS OTHERWISE SET FORTH IN ST'S TERMS AND CONDITIONS OF SALE ST DISCLAIMS ANY EXPRESS OR IMPLIED WARRANTY WITH RESPECT TO THE USE AND/OR SALE OF ST PRODUCTS INCLUDING WITHOUT LIMITATION IMPLIED WARRANTIES OF MERCHANTABILITY, FITNESS FOR A PARTICULAR PURPOSE (AND THEIR EQUIVALENTS UNDER THE LAWS OF ANY JURISDICTION), OR INFRINGEMENT OF ANY PATENT, COPYRIGHT OR OTHER INTELLECTUAL PROPERTY RIGHT.

UNLESS EXPRESSLY APPROVED IN WRITING BY AN AUTHORIZED ST REPRESENTATIVE, ST PRODUCTS ARE NOT RECOMMENDED, AUTHORIZED OR WARRANTED FOR USE IN MILITARY, AIR CRAFT, SPACE, LIFE SAVING, OR LIFE SUSTAINING APPLICATIONS, NOR IN PRODUCTS OR SYSTEMS WHERE FAILURE OR MALFUNCTION MAY RESULT IN PERSONAL INJURY, DEATH, OR SEVERE PROPERTY OR ENVIRONMENTAL DAMAGE. ST PRODUCTS WHICH ARE NOT SPECIFIED AS "AUTOMOTIVE GRADE" MAY ONLY BE USED IN AUTOMOTIVE APPLICATIONS AT USER'S OWN RISK.

Resale of ST products with provisions different from the statements and/or technical features set forth in this document shall immediately void any warranty granted by ST for the ST product or service described herein and shall not create or extend in any manner whatsoever, any liability of ST.

ST and the ST logo are trademarks or registered trademarks of ST in various countries.

Information in this document supersedes and replaces all information previously supplied.

The ST logo is a registered trademark of STMicroelectronics. All other names are the property of their respective owners.

© 2008 STMicroelectronics - All rights reserved

STMicroelectronics group of companies

Australia - Belgium - Brazil - Canada - China - Czech Republic - Finland - France - Germany - Hong Kong - India - Israel - Italy - Japan - Malaysia - Malta - Morocco - Singapore - Spain - Sweden - Switzerland - United Kingdom - United States of America

www.st.com